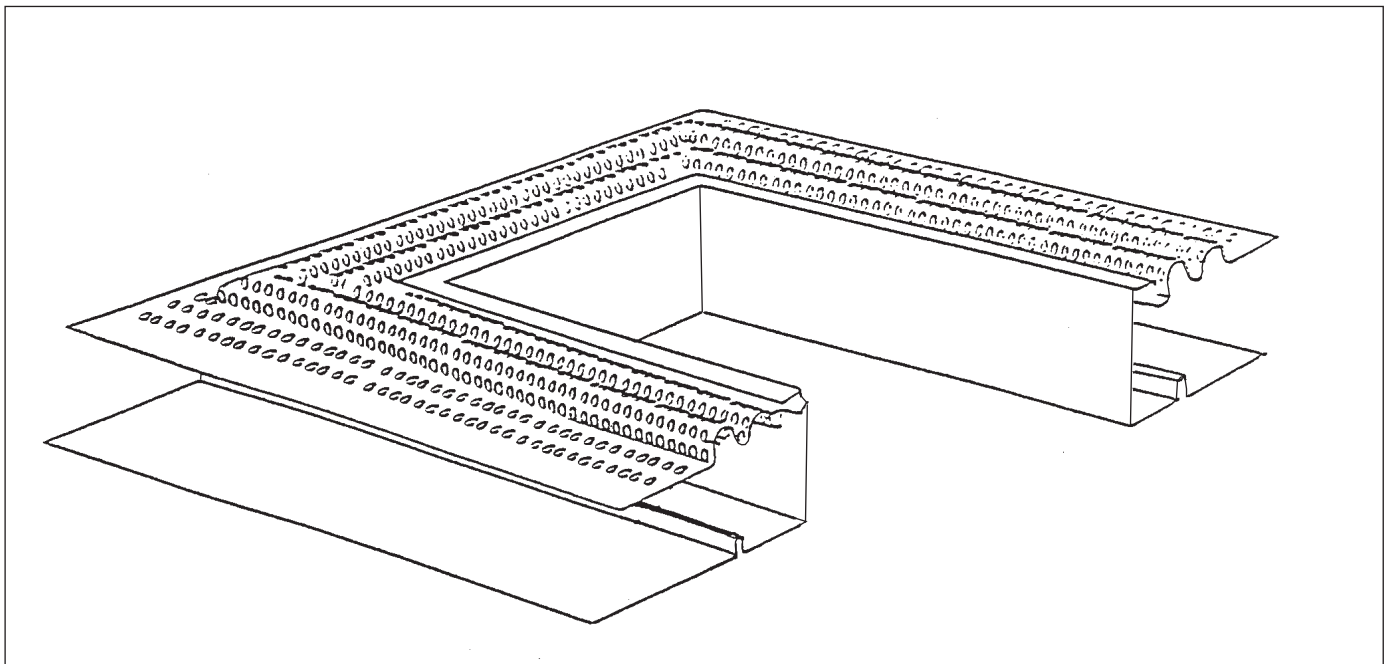
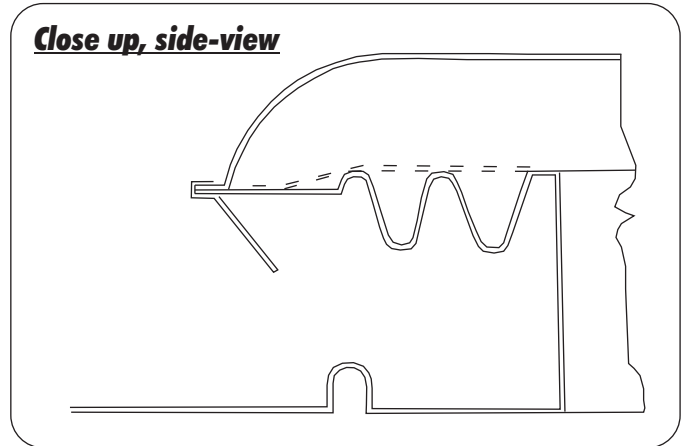


BCA VENTILATION SOLUTION

Regent Skylight Systems has added to its range of quality Skylights the new BCA vented Skylight which can provide assistance in conforming to BCA & local authority requirements for ventilation to internal bathrooms & WC's. Most authorities are now enforcing the 5% vent requirement for internal rooms, but unfortunately the traditional vented Skylight has fallen short in achieving these figures without reverting to oversized Skylights incompatible with room sizes.

With the release of the new design registered Regent BCA vent Skylight, you can now offer to your customers an economical alternative to mechanical ventilation.

Close up, side-view



SELECTION CHART

SKYLIGHT SIZE	STANDARD VENT AREA (m ²)	BCA VENT AREA (m ²)
500 x 500	0.08	0.20
500 x 800	0.11	0.24
500 x 1200	0.14	0.31
500 x 1200 EXTRA	0.14	0.37
600 x 600	0.10	0.27
600 x 1200	0.15	0.32
800 x 800	0.13	0.29

The product described herein is protected by one or more of the following: Australian Patent Nos 688444, 686419 and 712432; Australian Registered Design Nos 127024, 118780 and 107995. ©The skylight system illustrations contained in this brochure are the sole property of Regent Skylight Systems Pty. Ltd and are reserved under copyright law. It is the responsibility of the user to ensure that the selected skylight system complies with the relevant building codes and authorities requirements. Regent Skylight Systems Pty. Ltd. reserves the right to improve or modify the skylight systems at any time.

Zincalume and Colorbond are registered trademarks of BlueScope Steel Limited. Corrolux is a registered trademark of Thomas Deutsch (Regent Sheet Metal Pty Ltd)

REGENT SKYLIGHT SYSTEMS

PTY. LTD.

" The Ultimate in Skylights and Ventilation Products! "

www.regentskylights.com.au

February 2011