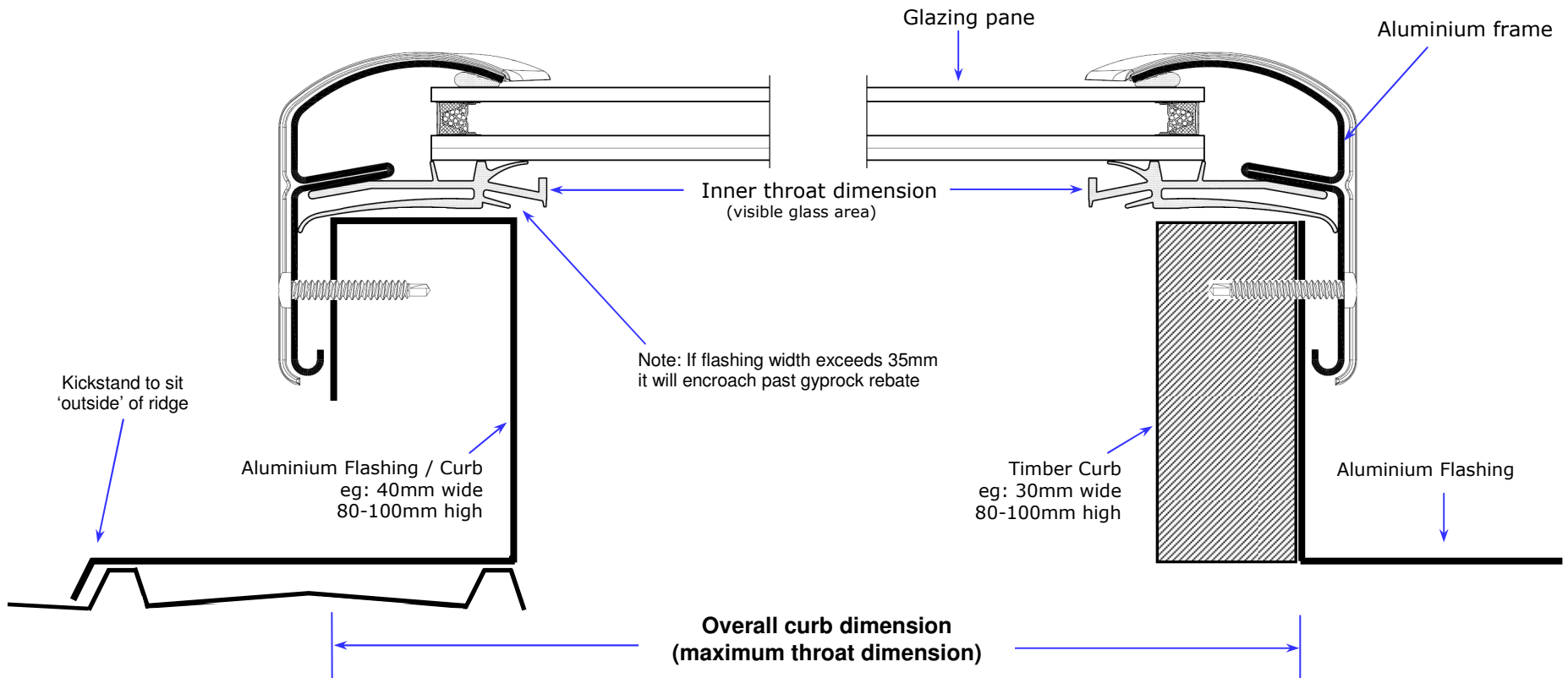


FCM - Fixed "Curb" Mounted Skylight (A21 Model)

FCM Curb detail – suggestion only. (flashing is not supplied with the FCM)

The diagram describes a suggested method of fixing the FCM on a curb flashing. As such it is intended to be used **as a guide only**. Any roof flashing and/or waterproofing is to be supplied by the installer/roofer and must be suitable for the type of roofing material.

This diagram does not apply to any internal and/or external guarantees issued.



Inner throat dimension:	FCM 1430 = 368 mm x 775 mm
	FCM 2222 = 572 mm x 572 mm
	FCM 2230 = 572 mm x 775 mm
	FCM 2234 = 572 mm x 877 mm
	FCM 2246 = 572 mm x 1181 mm
	FCM 2270 = 572 mm x 1792 mm
	FCM 3030 = 775 mm x 775 mm
	FCM 3046 = 775 mm x 1181 mm
	FCM 3434 = 876 mm x 876 mm
	FCM 4646 = 1181 mm x 1181 mm

OVERALL CURB DIMENSION:

FCM 1430 = 460 mm x 870 mm
FCM 2222 = 665 mm x 665 mm
FCM 2230 = 665 mm x 870 mm
FCM 2234 = 665 mm x 970 mm
FCM 2246 = 665 mm x 1275 mm
FCM 2270 = 665 mm x 1885 mm
FCM 3030 = 870 mm x 870 mm
FCM 3046 = 870 mm x 1275 mm
FCM 3434 = 970 mm x 970 mm
FCM 4646 = 1275 mm x 1275 mm