

FEATURES

- ▶ simplicity in design
- ▶ tight manufacturing tolerances
- ▶ sturdy press-formed and fully welded frame construction
- ▶ light weight damper easy to install
- ▶ suitable for lightweight ceiling constructions
- ▶ adjustable mounting angles
- ▶ heat protective shielding on blade
- ▶ spring assisted closure

MECHANISM

The damper is mounted in the shaft of the skylight, just above the ceiling. When the fusible thermal link melts under heat, a fire resistant blade falls, blocking the spread of fire by forming a tightly sealed barrier.

TEST RESULTS

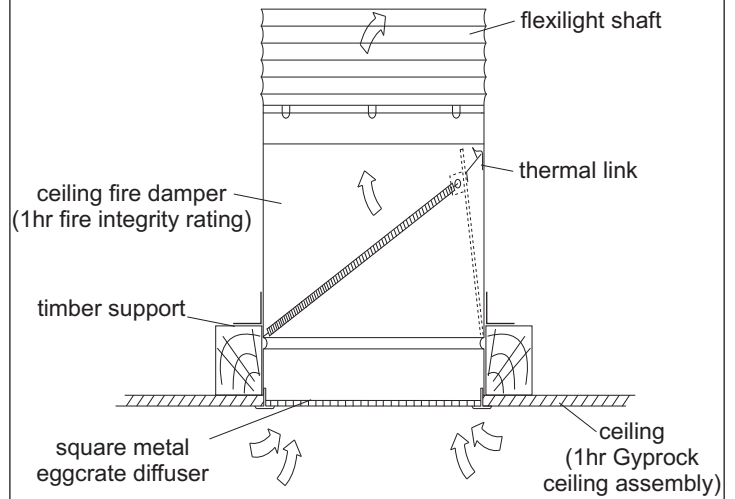
The single blade ceiling fire dampers were tested in a plaster board ceiling maximum size of 450 X 450. The damper has been tested to AS1530 as required by the fire damper code AS1682.1 and achieved a fire resistance of one hour.

Test certificate is available on request.

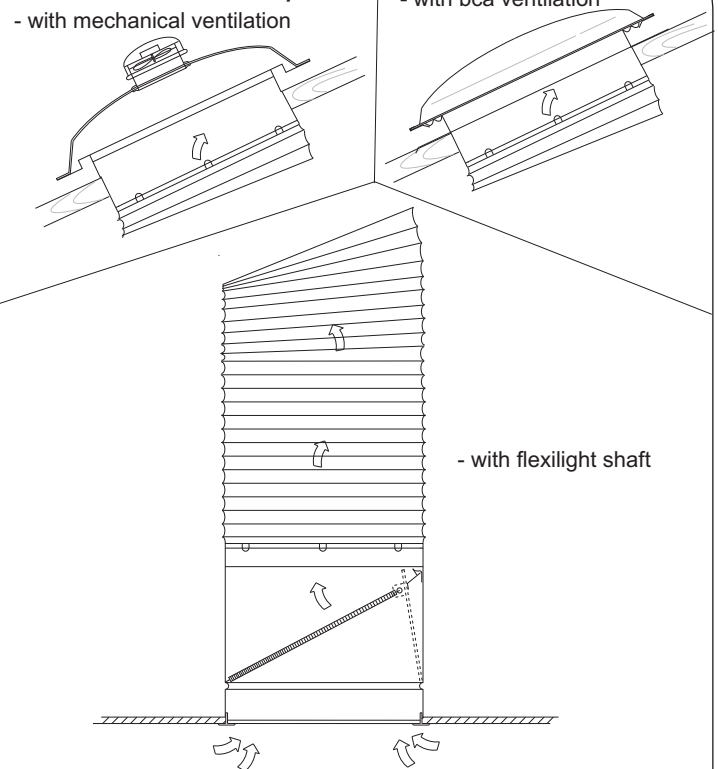
SELECTION CHART

SIZE	CODE
500 X 500 (Nominal)	SKFD

Ceiling Fire Damper:



Installation Examples:



NOTE : Fire Damper Models have a SQUARE eggcrate diffuser.

©The skylight system illustrations contained in this brochure are the sole property of Regent Skylight Systems Pty. Ltd and are reserved under copyright law. It is the responsibility of the user to ensure that the selected skylight system complies with the relevant building codes and authorities requirements. Regent Skylight Systems Pty. Ltd. reserves the right to improve or modify the skylight systems at any time. Zinalume and Colorbond are registered trademarks of BlueScope Steel Limited. Corrolux is a registered trademark of Thomas Deutsch (Regent Sheet Metal Pty Ltd)

REGENT SKYLIGHT SYSTEMS

PTY. LTD.

" The Ultimate in Skylights and Ventilation Products! "

www.regentskylights.com.au

February 2011