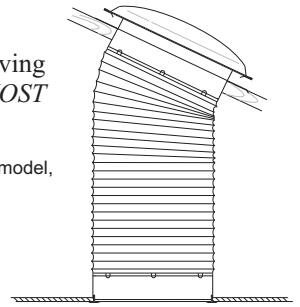


SINGLE SHAFT FLEKKIT

These fully flashed skylight kits provide everything you need to bring natural light into your living environment and are ideal for the handyman and tradesman alike. Kits are *AVAILABLE FOR MOST ROOF TYPES* and come complete with :

- ① acrylic opal dome fixed to a fully flashed metal base
- ② diffuser (eggcrate for vented; prismatic for non-vented model, vented prismatic model also available P.O.A.)
- ③ highly reflective, u.v. resistant reinforced flexilight skylight shaft
- ④ white ceiling trim



INSTALLATION

Install skylights into roof at desired position.

Cut opening in ceiling taking care not to damage electrical wiring, plumbing etc.

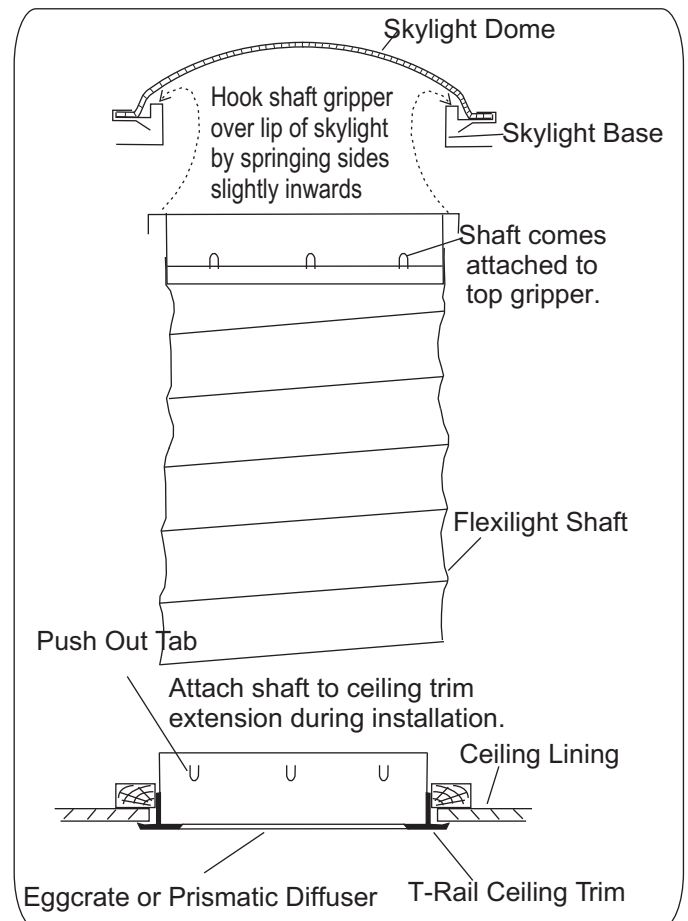
Open flexible shaft kit and separate ceiling trim assembly from other components.

Install ceiling trim assembly into ceiling. Fix by screwing through sides into trimmers or battens. (Pack between ceiling trim side and framing if required, this ensuring when screws are tightened the trim assembly is not distorted.)

From within ceiling space, hold shaft gripper and springing sides inwards, insert through skylight such that the hooked portion at top engages over lip of skylight base.

Pull shafting taut without overstretching and trim to length.

Fold out tabs and pull shaft over trim assembly to allow tabs to bite into shaft.



SELECTION CHART

SIZE	LIGHT AREA (m ²)	STANDARD VENT AREA (m ²)	BCA VENT AREA (m ²)
500 x 500	0.25	0.08	0.20
500 x 800	0.40	0.11	0.24
500 x 1200	0.60	0.14	0.31
600 x 600	0.36	0.10	0.27
600 x 1200	0.72	0.15	0.32
800 x 800	0.64	0.13	0.29

© The skylight system illustrations contained in this brochure are the sole property of Regent Skylight Systems Pty. Ltd and are reserved under copyright law. It is the responsibility of the user to ensure that the selected skylight system complies with the relevant building codes and authorities requirements. Regent Skylight Systems Pty. Ltd. reserves the right to improve or modify the skylight systems at any time. Zinalume and Colorbond are registered trademarks of BlueScope Steel Limited. Corrolux is a registered trademark of Thomas Deutsch (Regent Sheet Metal Pty Ltd)

REGENT SKYLIGHT SYSTEMS

PTY. LTD.

" The Ultimate in Skylights and Ventilation Products! "

www.regentskylights.com.au

September 2009