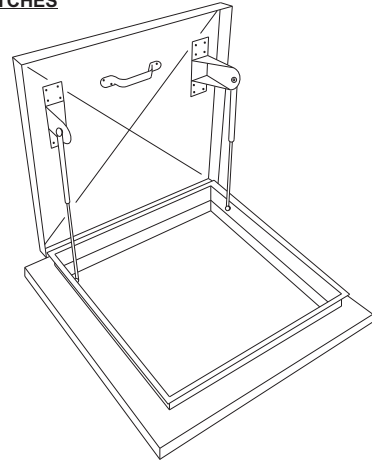


ALL METAL HATCH

Regent All Metal Hatches are manufactured to opening sizes scheduled from Zinalume steel. The top is constructed in two layers with glass wool insulation to reduce noise transfer and eliminate condensation. Hinging is by heavy duty galvanised piano hinges and the hatch is secured in the open position with gas struts. The hatch base is fitted with overflashing of inverted channel configuration as standard, designed to fit over a kerb style underflashing commonly provided on flat metal or concrete roofs. As an option the hatches can be purpose fabricated with inbuilt flashings to suit any customer nominated material. Finish can be natural Zinalume steel or enamel of selected colour. Hatches can be built from other metals such as stainless steel, aluminium and copper, to meet specific customer requirements.

ALL METAL HATCHES

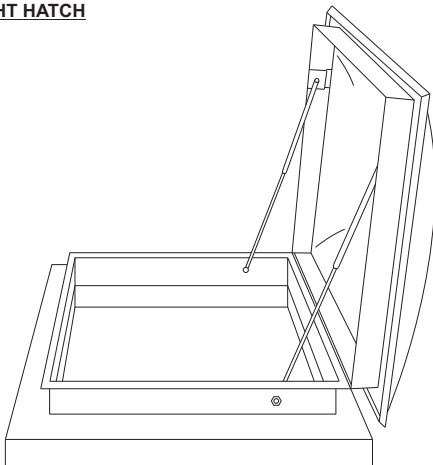


ALL METAL HATCH SELECTION CHART

Refer to TS 2.1.4a for kerb size

SIZE	CODE	KERB SIZE REQUIRED	
		INTERNAL	EXTERNAL
600 x 600	AMH600	600 x 600	740 x 740
800 x 800	AMH800	800 x 800	940 x 940
900 x 900	AMH900	900 x 900	1040 x 1040
1000 x 1000	AMH1000	1000 x 1000	1140 x 1140

SKYLIGHT HATCH



SKYLIGHT HATCH

Regent Skylight Hatches are manufactured to opening sizes scheduled from Zinalume steel. The dome is constructed from high impact opal acrylic. Hinging is by heavy duty galvanised piano hinges and the hatch is secured in the open position with gas struts. The hatch base is fitted with overflashing of inverted channel configuration as standard, designed to fit over a kerb style underflashing commonly provided on flat metal or concrete roofs. As an option the hatches can be purpose fabricated with inbuilt flashings to suit any customer nominated material. Finish can be natural Zinalume steel or enamel of selected colour. Hatches can be built from other metals such as stainless steel, aluminium and copper, to meet specific customer requirements. Other glazing options include standard acrylic and polycarbonate in clear, opal and tint.

SKYLIGHT HATCH SELECTION CHART

Refer to TS 2.1.4a for kerb size

SIZE	CODE	VENTED MODEL		NON-VENTED MODEL		KERB SIZE REQUIRED	
		LIGHT AREA (m ²)	VENT AREA (m ²)	CODE	LIGHT AREA (m ²)	INTERNAL	EXTERNAL
600 x 600	SKH600VHIO	0.36	0.10	SKH600NVHIO	0.36	600 x 600	740 x 740
800 x 800	SKH800VHIO	0.64	0.13	SKH800NVHIO	0.64	800 x 800	940 x 940
900 x 900	SKH900VHIO	0.81	0.145	SKH900NVHIO	0.81	900 x 900	1040 x 1040
1000 x 1000	SKH1000VHIO	1.00	0.16	SKH1000NVHIO	1.00	1000 x 1000	1140 x 1140

©The skylight system illustrations contained in this brochure are the sole property of Regent Skylight Systems Pty. Ltd and are reserved under copyright law. It is the responsibility of the user to ensure that the selected skylight system complies with the relevant building codes and authorities requirements. Regent Skylight Systems Pty. Ltd. reserves the right to improve or modify the skylight systems at any time.

Zinalume and Colorbond are registered trademarks of BlueScope Steel Limited. Corrolux is a registered trademark of Thomas Deutsch (Regent Sheet Metal Pty Ltd)

REGENT SKYLIGHT SYSTEMS

PTY. LTD.

" The Ultimate in Skylights and Ventilation Products! "

www.regentskylights.com.au

September 2009