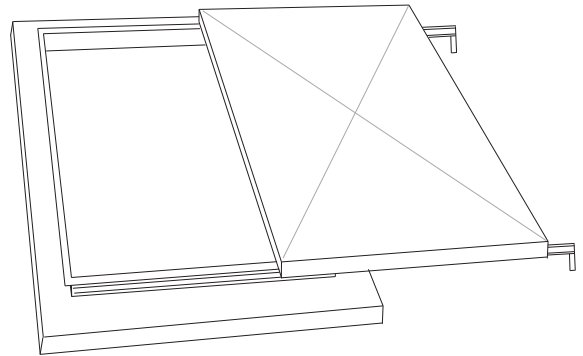


### SLIDING HATCH

Regent All Metal Hatches are manufactured to opening sizes scheduled from Zinalume steel. The top is constructed in two layers with glass wool insulation to reduce noise transfer and eliminate condensation. Stainless steel slides provide long life smooth operation. The hatch base is fitted with overflashing of inverted channel configuration as standard, designed to fit over a kerb style underflashing commonly provided on flat metal or concrete roofs. As an option the hatches can be purpose fabricated with inbuilt flashings to suit any customer nominated roofing material. Finish can be natural Zinalume steel or enamel of selected colour. Hatches can be built from other metals such as stainless steel, aluminium and copper, to meet specific customer requirements.

NOTE: Sliding hatches with inbuilt flashings are handed. Nominate if LH or RH or sliding upwards on the roof.

### SLIDING HATCHES

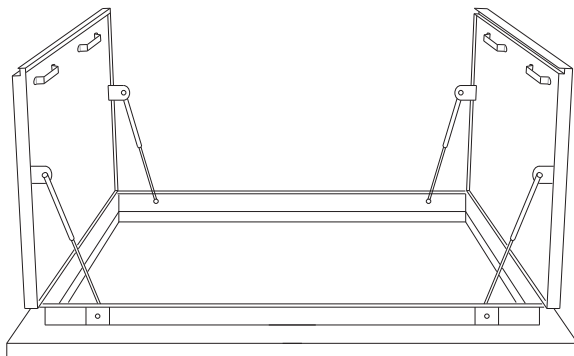


### SLIDING HATCH SELECTION CHART

SIZE	CODE
800 x 800	SLH800
800 x 1200	SLH8/12

\* Other sizes available upon request  
\*\* Refer to TS 2.1.4a for kerb size

### BI-FOLD HATCH



### BI-FOLD HATCH

Regent Bi-Fold All Metal Hatches are manufactured to opening sizes scheduled from Zinalume steel. The tops are constructed in two layers with glass wool insulation to reduce noise transfer and eliminate condensation. Hinging is by heavy duty galvanised piano hinges and the hatches are secured in the open position with gas struts. The hatch base is fitted with overflashing of inverted channel configuration as standard, designed to fit over a kerb style underflashing commonly provided on flat metal or concrete roofs. As an option the hatches can be purpose fabricated with inbuilt flashings to suit any customer nominated roofing material. Finish can be natural Zinalume steel or enamel of selected colour. Hatches can be built from other metals such as stainless steel, aluminium and copper, to meet specific customer requirements.

### BI-FOLD HATCH SELECTION CHART

SIZE	CODE
600 x 1200	BFH6/12
800 x 1600	BFH8/16

\* Other sizes available upon request  
\*\* Refer to TS 2.1.4a for kerb size

©The skylight system illustrations contained in this brochure are the sole property of Regent Skylight Systems Pty. Ltd and are reserved under copyright law. It is the responsibility of the user to ensure that the selected skylight system complies with the relevant building codes and authorities requirements. Regent Skylight Systems Pty. Ltd. reserves the right to improve or modify the skylight systems at any time.

Zinalume and Colorbond are registered trademarks of BlueScope Steel Limited. Corrolux is a registered trademark of Thomas Deutsch (Regent Sheet Metal Pty Ltd)

# REGENT SKYLIGHT SYSTEMS

PTY. LTD.

" The Ultimate in Skylights and Ventilation Products! "

[www.regentskylights.com.au](http://www.regentskylights.com.au)

September 2009