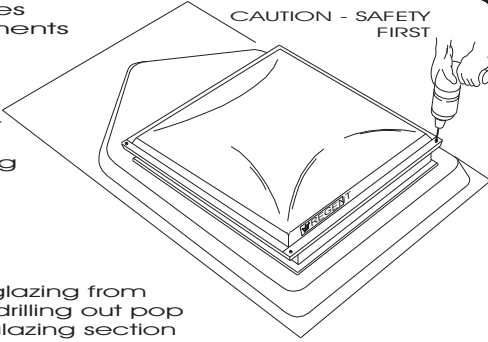


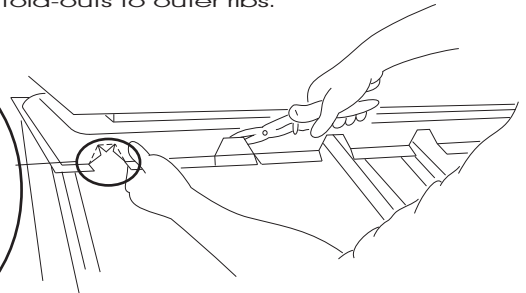
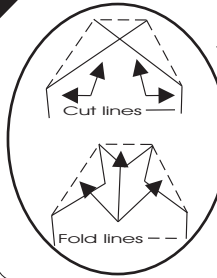
1 Raw edges of components of Regent Skylights and cut edges of roofing iron are sharp. Care must be exercised to avoid injury during installation.

CAUTION - SAFETY FIRST

Remove dome glazing from skylight base by drilling out pop rivets, from trim glazing section



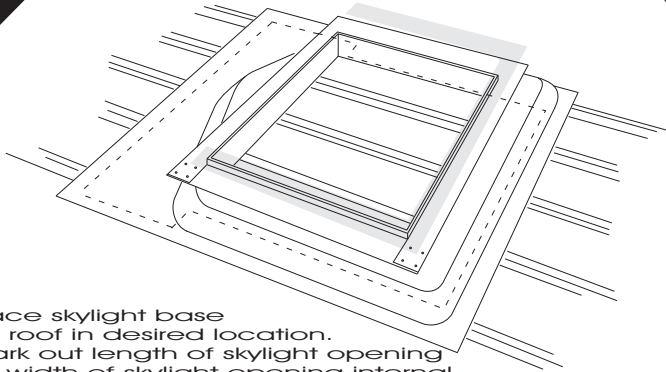
5 Cut front apron flashing to rib profile. Leave fold-outs to outer ribs.



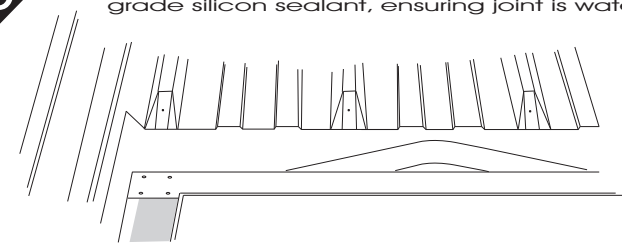
2 Place skylight base on roof in desired location. Mark out length of skylight opening by width of skylight opening internal.

Mark soaker area 25mm smaller, as per dotted line.

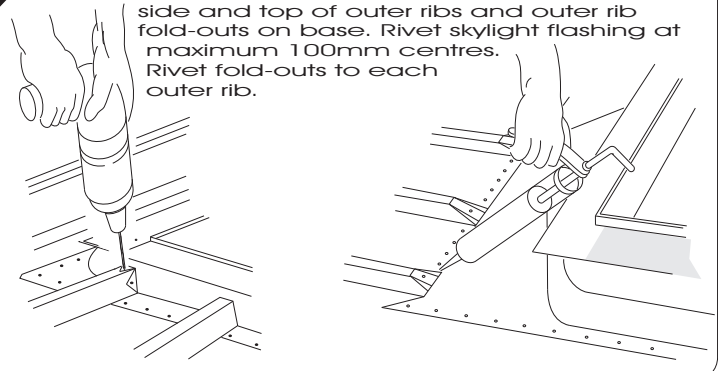
NOTE: In some installations it may require a support batten or purlin to be inserted, to support the join in the soaker and roof sheet on the up side of roof and at the front of the unit, on the down side of the roof



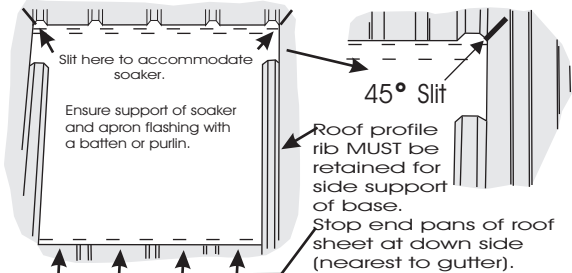
6 Refer to HB39 for detail to cut and fold ribs at top of soaker and pop rivet & seal with roofing grade silicon sealant, ensuring joint is watertight.



7 Silicon seal to form a gasket between top of soaker and under roof sheet, under side flashings and top of roof pan. Then silicon seal between side and top of outer ribs and outer rib fold-outs on base. Rivet skylight flashing at maximum 100mm centres. Rivet fold-outs to each outer rib.

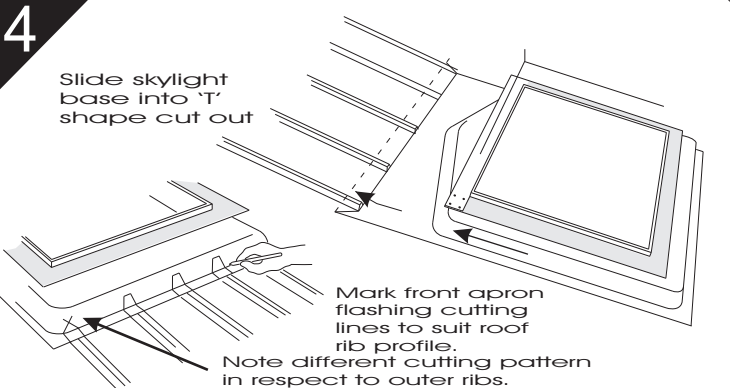


3 Slit here to accommodate soaker. Ensure support of soaker and apron flashing with a batten or purlin. Roof profile rib MUST be retained for side support of base. Stop end pans of roof sheet at down side (nearest to gutter). Cut out roof to leave 'T' shape appearance.

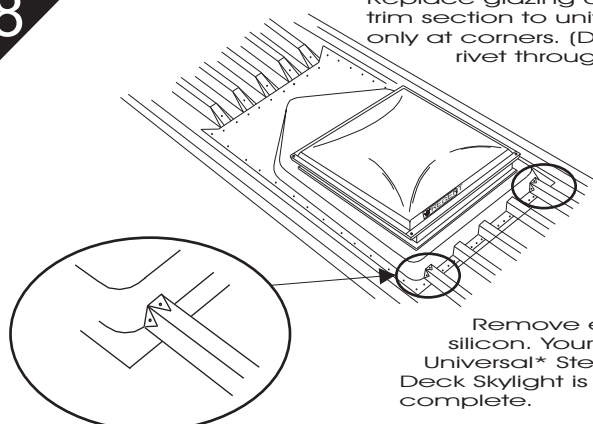


4 Slide skylight base into 'T' shape cut out

Mark front apron flashing cutting lines to suit roof rib profile. Note different cutting pattern in respect to outer ribs.



8 Replace glazing and trim section to unit. Rivet only at corners. (DO NOT rivet through glazing)



Remove excess silicon. Your Regent Universal* Steel Deck Skylight is complete.

The product described herein is protected by one or more of the following: Australian Patent Nos 688444, 686419 and 712432: Australian Registered Design Nos 127024, 118780 and 107995. The skylight system illustrations contained in this brochure are the sole property of Regent Skylight Systems Pty. Ltd. and are reserved under copyright law. It is the responsibility of the user to ensure that the selected skylight system complies with the relevant building codes and authorities requirements. Regent Skylight Systems Pty. Ltd. reserves the right to improve or modify the skylight systems at any time. Zinalume® and Colorbond® are registered trademarks of BlueScope Steel Limited. Corrolux® is a registered trademark of Thomas Deutsch (Regent Sheet Metal Pty Ltd)

REGENT SKYLIGHT SYSTEMS

PTY. LTD.

" The Ultimate in Skylights and Ventilation Products! "

www.regentskylights.com.au Technical Sheet INST/SUMD/17082009/001.3