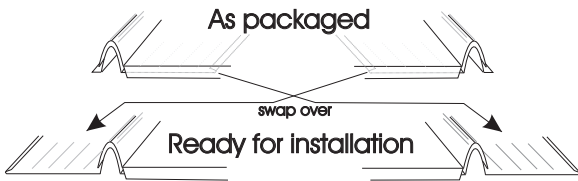


* FITS MOST TILE ROOF PROFILES

* Adaptors are supplied on request for Wunderlich Swiss and similar high profile tiles.

1 Raw edges of components of Regent Tubelights and cut edges of roofing iron are sharp. Care must be exercised to avoid injury during installation.

REVERSE SIDE FLASHING BEFORE INSTALLATION

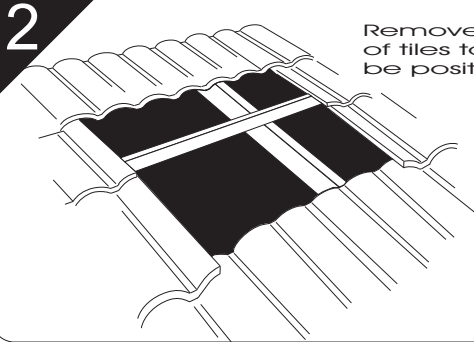


6 Make sure front apron is in line with tile fronts before proceeding. Base should now be in position, with profile correct.

2 Remove required amount of tiles to allow base to be positioned correctly.

7 Gently tap malleable flashing to tile profile using a small piece of timber and mallet.

Nail fixing tabs to rafter or batten truss.



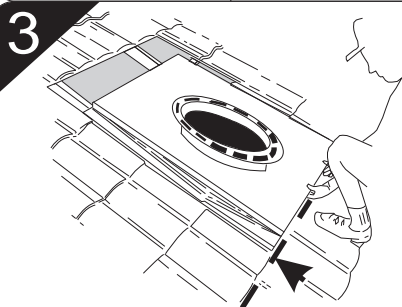
3 Place base in position, making sure the front apron is in line with the tile row.

NOTE: Alignment of front of skylight is important for correct appearance.

8 Proceed to lay tile over side flashing only, ensuring tiles are neatly seated against tray.

Cut out battens to leave clear opening.

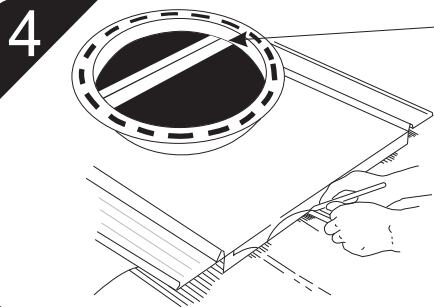
Note: Do NOT lay tiles over top of ZINCALUME steel flashing tray, except at rear of skylight.



4 Mark batten in way of tube and saw off section not required.

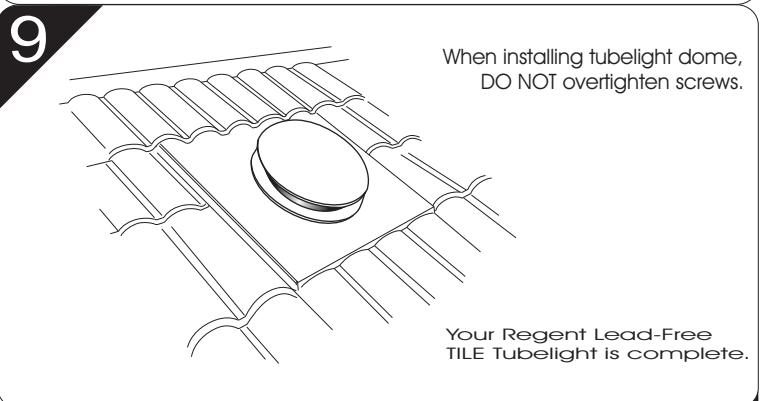
Mark front apron to tile profile using a small piece of timber to follow the profile shape.

9 When installing tubelight dome, DO NOT overtighten screws.



5 Now notch to profile.

WARNING Before notching out profile, check skylight is in the desired position, as once notching is completed, the unit cannot be moved sideways.



The product described herein is protected by one or more of the following: Australian Patent Nos 688444, 686419 and 712432; Australian Registered Design Nos 127024, 118780 and 107995. The skylight system illustrations contained in this brochure are the sole property of Regent Skylight Systems Pty. Ltd. and are reserved under copyright law. It is the responsibility of the user to ensure that the selected skylight system complies with the relevant building codes and authorities requirements. Regent Skylight Systems Pty. Ltd. reserves the right to improve or modify the skylight systems at any time. Zinalume® and Colorbond® are registered trademarks of BlueScope Steel Limited. Corrolux® is a registered trademark of Thomas Deutsch (Regent Sheet Metal Pty Ltd)

REGENT SKYLIGHT SYSTEMS

PTY. LTD.

" The Ultimate in Skylights and Ventilation Products! "

www.regentskylights.com.au

Technical Sheet INST/TZTS/17082009/001.3