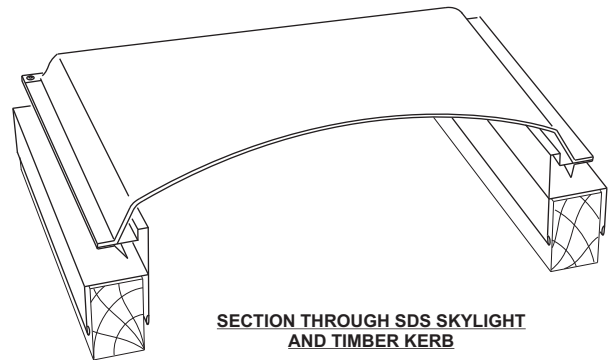
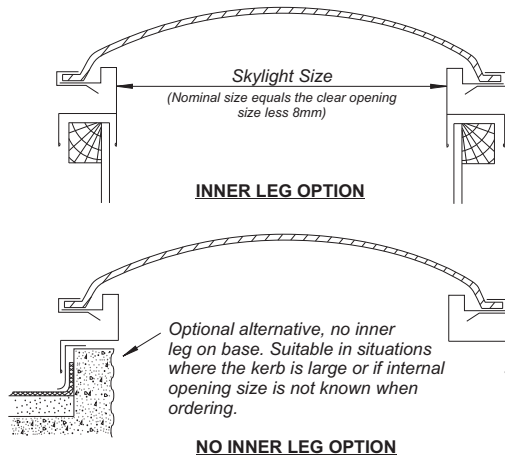


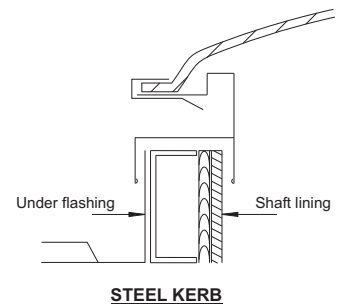
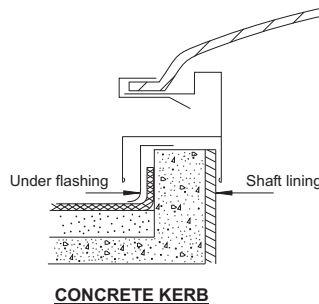
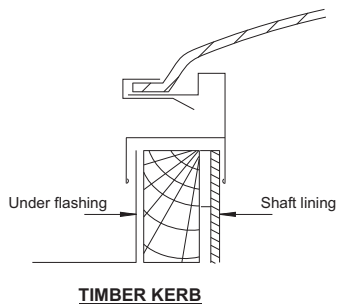
KERBS

Kerb sizes shown (in the selection chart below) include the shaft lining and thickness of the skylight under flashing. Special size skylights and kerb widths can be fabricated to meet customer requirements at an additional cost. Standard Steel Deck Skylights are manufactured with an inner leg. A non-standard alternative is available, where by the skylight is manufactured without an inner leg. This option is suitable when the kerb is large or the internal opening size is not known when ordering. Detail shown is also typical for Skylight Hatches, All Metal Hatches and Pyramid glazed skylights.

SECTION DETAILS



BASE DETAILS



SELECTION CHART

SIZE	CODE	KERB SIZE REQUIRED		LIGHT AREA (m ²)	STANDARD VENT AREA (m ²)	BCA VENT AREA (m ²)
		INTERNAL	EXTERNAL			
500 x 500	SDS500	500 x 500	640 x 640	0.25	0.08	0.20
500 x 800	SDS5/8	500 x 800	640 x 940	0.40	0.11	0.24
500 x 1200	SDS5/12	500 x 1200	640 x 1340	0.60	0.14	0.31
600 x 600	SDS600	600 x 600	740 x 740	0.36	0.10	0.27
600 x 800	SDS6/8	600 x 800	740 x 940	0.48	0.12	N/A
600 x 1200	SDS6/12	600 x 1200	740 x 1340	0.72	0.15	0.32
800 x 800	SDS800	800 x 800	940 x 940	0.64	0.13	0.29
800 x 1200	SDS8/12	800 x 1200	940 x 1340	0.96	0.17	N/A
1000 x 1000	SDS1000	1000 x 1000	1140 x 1140	1.00	0.16	N/A
1200 x 1200	SDS1200	1200 x 1200	1340 x 1340	1.44	0.19	N/A
1500 x 1500	SDS1500	1500 x 1500	1640 x 1640	2.25	0.24	N/A

The product described herein is protected by one or more of the following: Australian Patent Nos 688444, 686419 and 712432; Australian Registered Design Nos 127024, 118780 and 107995. ©The skylight system illustrations contained in this brochure are the sole property of Regent Skylight Systems Pty. Ltd and are reserved under copyright law. It is the responsibility of the user to ensure that the selected skylight system complies with the relevant building codes and authorities requirements. Regent Skylight Systems Pty. Ltd. reserves the right to improve or modify the skylight systems at any time. Zinalume and Colorbond are registered trademarks of BlueScope Steel Limited. Corrolux is a registered trademark of Thomas Deutsch (Regent Sheet Metal Pty Ltd)

REGENT SKYLIGHT SYSTEMS

PTY. LTD.

" The Ultimate in Skylights and Ventilation Products! "

www.regentskylights.com.au

February 2011