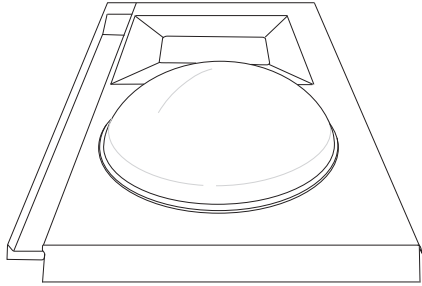
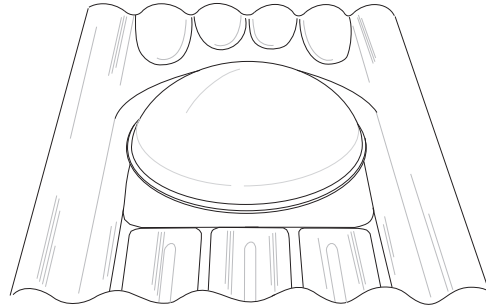


MICRO LIGHT

TILE MODEL



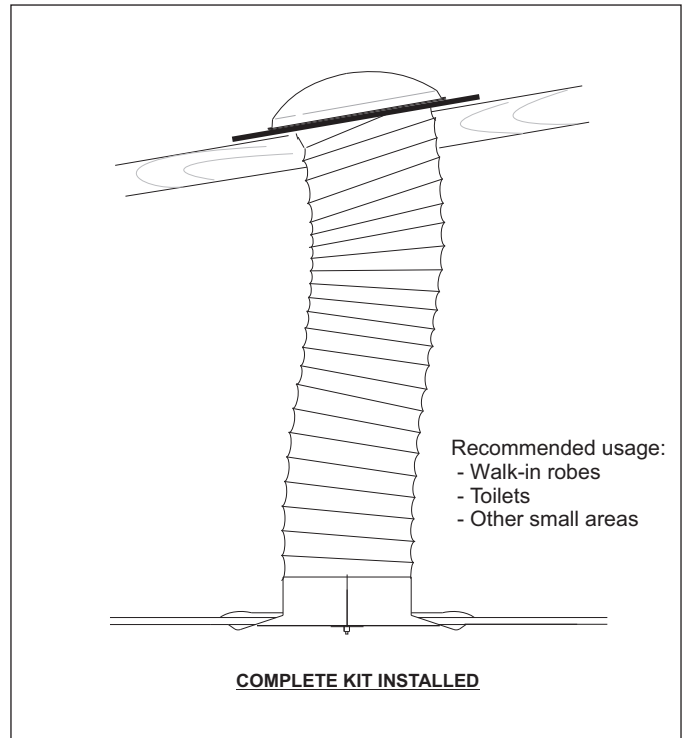
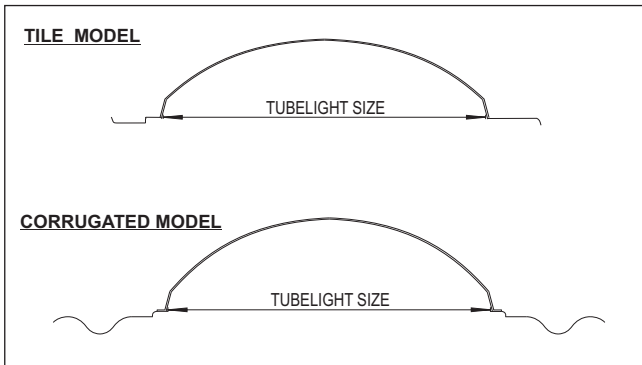
CORRUGATED MODEL



Micro Light Kit

- Ⓧ Clear acrylic dome and a fully flashed metal base
- Ⓧ 1.5m of highly reflective, uv resistant reinforced flexilight skylight shaft
- Ⓧ Circular ceiling trim and diffuser
- Ⓧ Available to suit Corrugated Iron and Tile roof profiles only.

Sectional Details



SIZE	CODE	GLAZING	LIGHT AREA (m ²)
200	TZTS200NV	Clear	0.031
200	TCLX200NV	Clear	0.031
200	TUMD200NV	Clear	0.031

The product described herein is protected by one or more of the following: Australian Patent Nos 688444, 686419 and 712432: Australian Registered Design Nos 127024, 118780 and 107995

©The skylight system illustrations contained in this brochure are the sole property of Regent Skylight Systems Pty. Ltd and are reserved under copyright law. It is the responsibility of the user to ensure that the selected skylight system complies with the relevant building codes and authorities requirements. Regent Skylight Systems Pty. Ltd. reserves the right to improve or modify the skylight systems at any time.

Zincalume® and Colorbond® are registered trademarks of BlueScope Steel Limited. Corrolux™ is a registered trademark of Thomas Deutsch (Regent Sheet Metal Pty Ltd)

REGENT SKYLIGHT SYSTEMS

PTY. LTD.

" The Ultimate in Skylights and Ventilation Products! "

www.regentskylights.com.au

September 2009