

NEOPRENE GASKET VERSATILE GLAZING SYSTEM

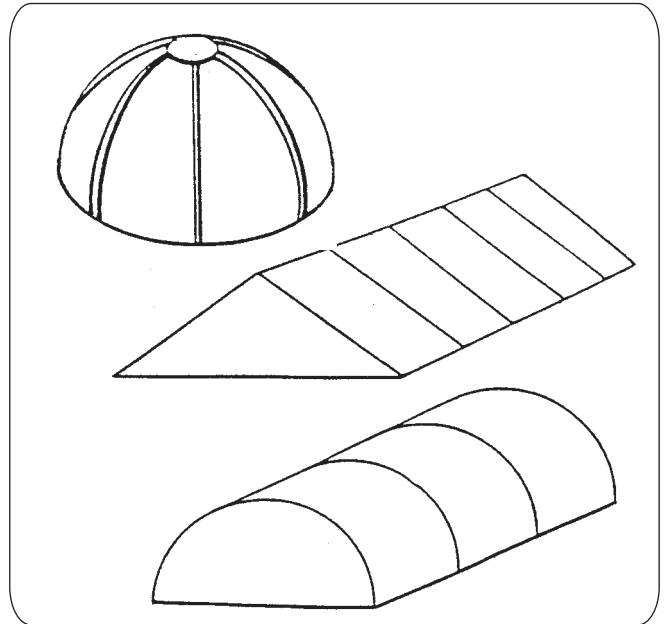
Regent also offer a segmental glazing system for larger architectural and commercial applications. This system allows freedom in creating specific and spectacular designs to suit particular projects.

MATERIALS

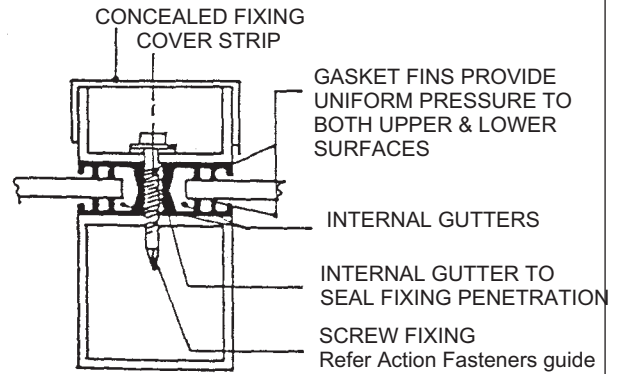
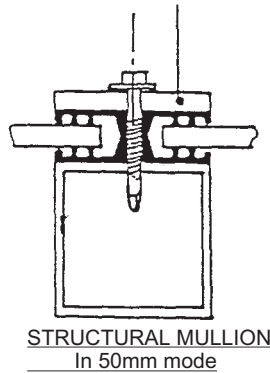
Glazing sections are powder coated aluminium sections for each application. Glazing can be standard acrylic, high-impact acrylic, UV-resistant polycarbonate, and UV-resistant twinwall or any of the many types of glass available.

DESIGN ASSISTANCE

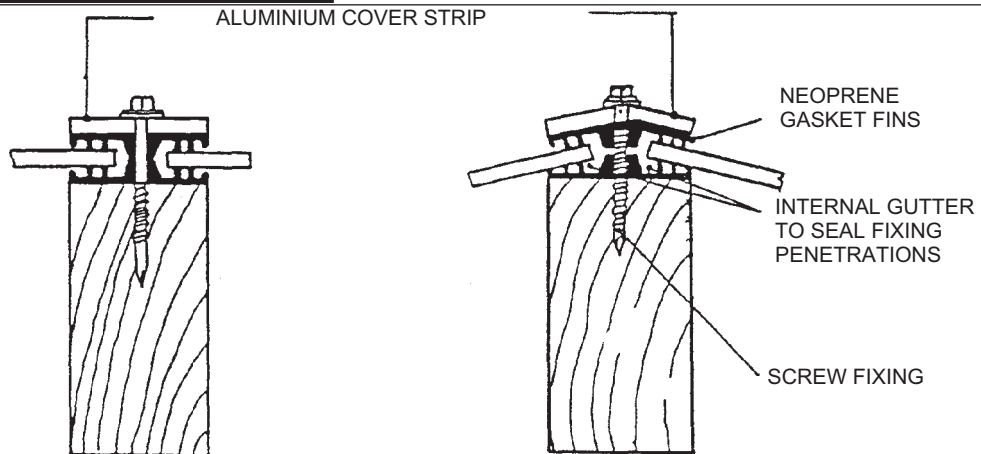
Due to the complexity of this product, we suggest you contact your nearest Regent Sales Office to discuss particular applications.



SECTIONAL DETAILS



SECTIONAL DETAILS



©The skylight system illustrations contained in this brochure are the sole property of Regent Skylight Systems Pty. Ltd and are reserved under copyright law. It is the responsibility of the user to ensure that the selected skylight system complies with the relevant building codes and authorities requirements. Regent Skylight Systems Pty. Ltd. reserves the right to improve or modify the skylight systems at any time.

Zincalume and Colorbond are registered trademarks of BlueScope Steel Limited. Corrolux is a registered trademark of Thomas Deutsch (Regent Sheet Metal Pty Ltd)

REGENT SKYLIGHT SYSTEMS

PTY. LTD.

" The Ultimate in Skylights and Ventilation Products! "

www.regentskylights.com.au

September 2009