

### VENTALITE

This unit is very popular for commercial applications, provides a high level of ventilation coupled with the entry of light through the glazing. The ventilation is achieved by four banks of weatherproof louvres which are site fixed to a prefabricated base. The dome is then replaced to finish the installation.

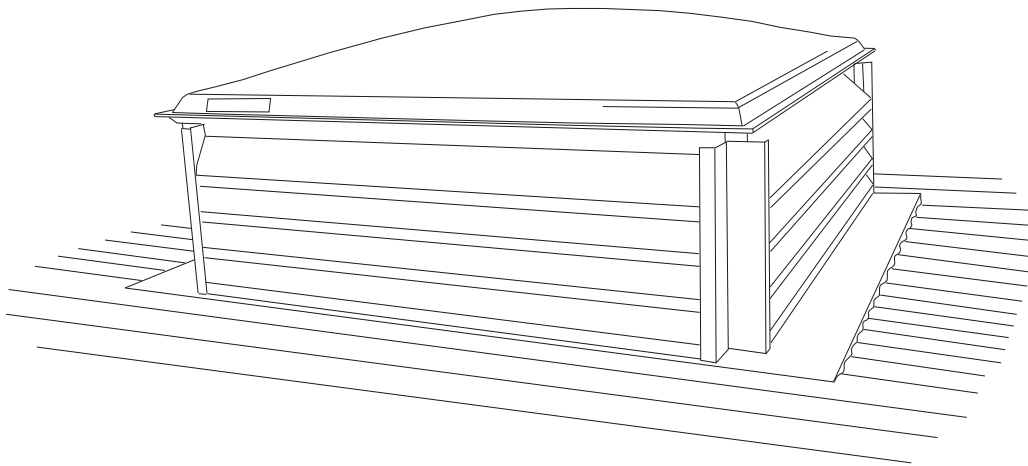
### MATERIALS

Standard Skylights consist of an unflashed fabricated Zinalume® base and a high impact acrylic dome. Special bases are available (in stainless steel, aluminum, copper and galvanised) to meet individual customer requirements. Domes can also be manufactured from acrylic and polycarbonate, in clear, opal or tint finishes. Bases can be manufactured preflashed (please advise roof pitch and type).

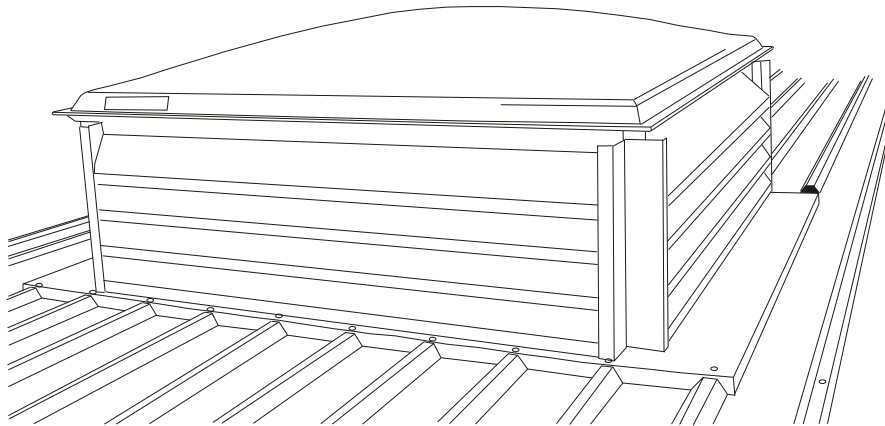
### INSTALLATION ON CORRUGATED IRON AND METAL DECK ROOFS

preflashed models shown

#### CORRUGATED IRON



#### METAL DECK



©The skylight system illustrations contained in this brochure are the sole property of Regent Skylight Systems Pty. Ltd and are reserved under copyright law. It is the responsibility of the user to ensure that the selected skylight system complies with the relevant building codes and authorities requirements. Regent Skylight Systems Pty. Ltd. reserves the right to improve or modify the skylight systems at any time.

Zinalume® and Colorbond® are registered trademarks of BlueScope Steel Limited. Corrolux® is a registered trademark of Thomas Deutsch (Regent Sheet Metal Pty Ltd)

# REGENT SKYLIGHT SYSTEMS

PTY. LTD.

*" The Ultimate in Skylights and Ventilation Products! "*

[www.regentskylights.com.au](http://www.regentskylights.com.au)

MARCH 2016