

STEEL DECK TUBELIGHT

Steel Deck Tubelights are generally used for flat roofs where a hob or kerb has been supplied by the builder, or is intended to be built. They are suitable for kerbs constructed out of steel, concrete or timber. Please refer to the installation guide for differing kerb types.

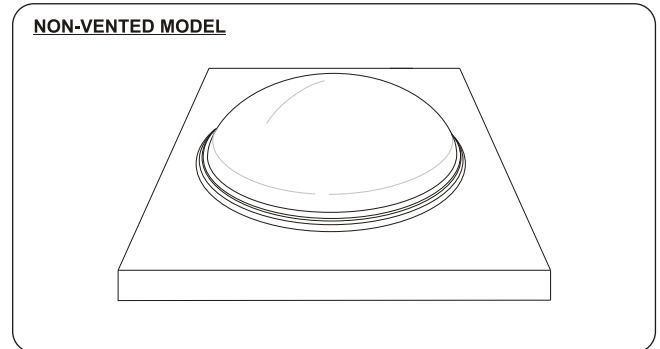
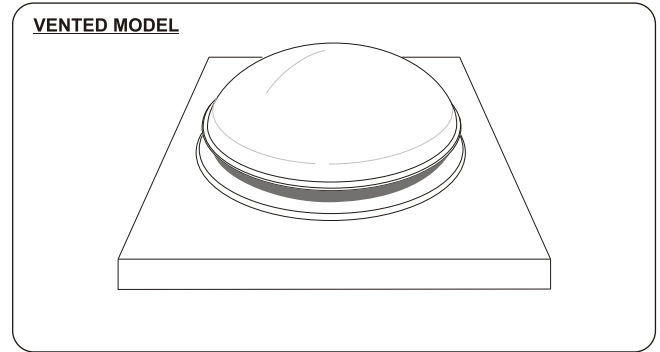
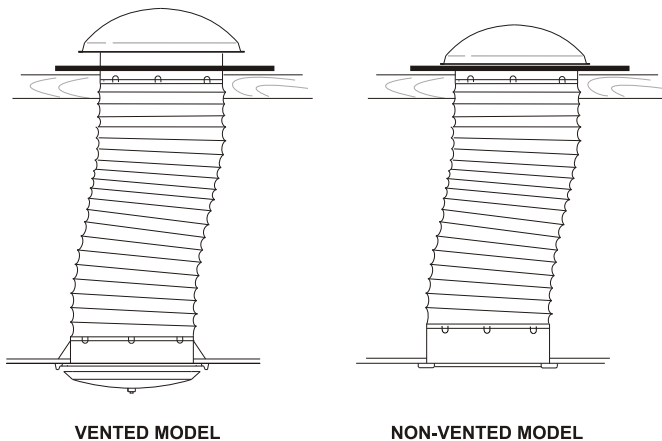
These unflashed tubelight kits provide everything you need to bring natural light into your living environment and are ideal for the handyman and tradesman alike. Kits are complete with :

- Ⓢ hi-impact acrylic dome fixed to a kerb style metal base
- Ⓢ 1.5m of highly reflective, uv resistant reinforced flexilight skylight shaft
- Ⓢ circular ceiling trim and diffuser

Regent Non-Vented BFA Tubelights comply to AS3959 requirements for Bushfire areas up to and including BAL 19. They will also comply with BAL 29 requirements if roof pitch is 18° or greater. Fire Dampers for 400mm Tubelights are available as an accessory for fire rated ceiling installations.

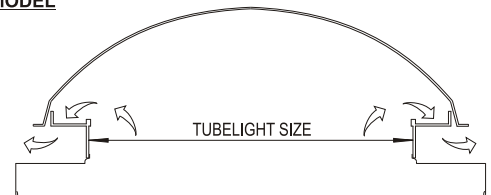
TUBELIGHT KITS

*(flashing to suit individual roof type)

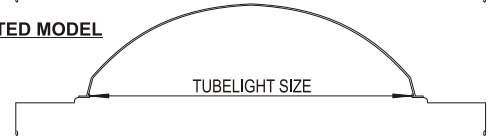


SECTIONAL DETAILS

VENTED MODEL



NON-VENTED MODEL



MATERIALS

Standard tubelights are constructed with a press formed Zinalume® base and a high impact acrylic (prismatic) dome. Fabricated bases are available (in stainless steel, aluminum, copper and galvanised) to meet individual customer requirements. Domes can also be manufactured from standard acrylic and polycarbonate, in clear, opal or tint finishes.

SELECTION CHART

SIZE	VENTED MODEL		NON-VENTED MODEL		NON-VENTED BFA MODEL		KERB SIZE REQUIRED	
	CODE	LIGHT AREA (m ²)	VENT AREA (m ²)	CODE	LIGHT AREA (m ²)	CODE	MAX EXTERNAL	MIN INTERNAL
300	TSDS300V	0.07	0.02	TSDS300NV	0.07	TSDS300NV/BFA	500X500	300X300
400	TSDS400V	0.13	0.02	TSDS400NV	0.13	TSDS400NV/BFA	600X600	400X400
500	TSDS500V	0.20	0.05	TSDS500NV	0.20	TSDS500NV/BFA	700X700	500X500

©The skylight system illustrations contained in this brochure are the sole property of Regent Skylight Systems Pty. Ltd and are reserved under copyright law. It is the responsibility of the user to ensure that the selected skylight system complies with the relevant building codes and authorities requirements. Regent Skylight Systems Pty. Ltd. reserves the right to improve or modify the skylight systems at any time.

Zinalume® and Colorbond® are registered trademarks of BlueScope Steel Limited. Corrolux® is a registered trademark of Thomas Deutsch (Regent Sheet Metal Pty Ltd)

REGENT SKYLIGHT SYSTEMS

PTY. LTD.

" The Ultimate in Skylights and Ventilation Products! "

www.regentskylights.com.au

MARCH 2016