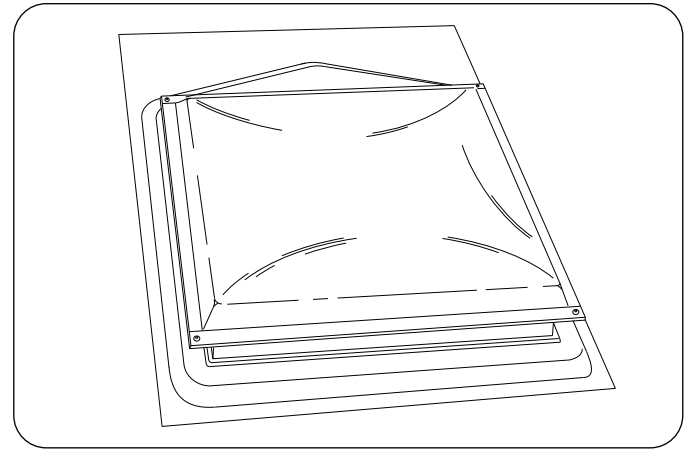


### UNIVERSAL METAL DECK SKYLIGHT

A press formed metal base suits most popular forms of metal deck roofing with rib heights of up to 50mm. Rolled shoulder design inhibits leaks and detritus build-up on low pitched roofs common to tradition designs. This eliminates leaking problems and increases the service life of the skylight.

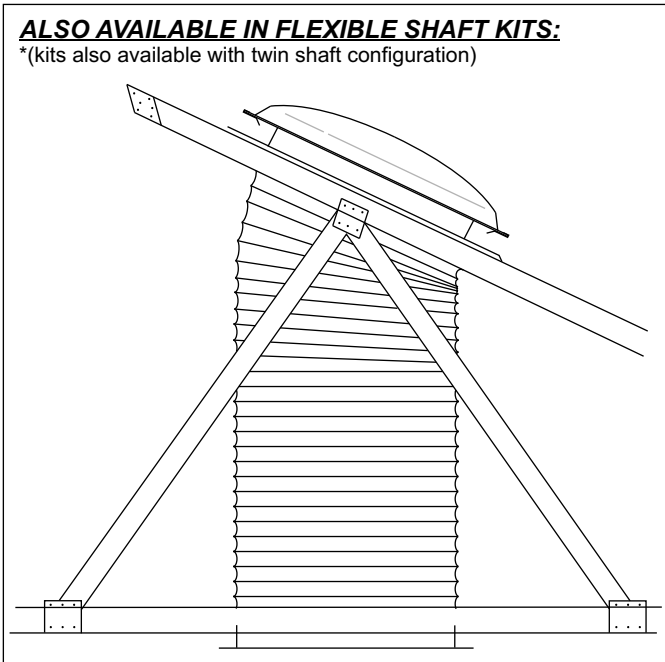
### MATERIALS

Standard skylights are constructed with a press formed Zinalume base and an acrylic dome. Fabricated bases are available (in stainless steel, aluminum, copper and galvanised) to meet individual customer requirements. Domes can also be manufactured from standard acrylic and polycarbonate, in clear, opal or tint finishes.

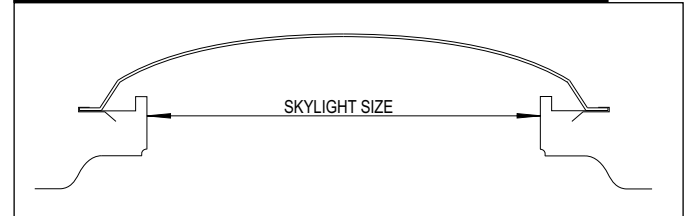


### ALSO AVAILABLE IN FLEXIBLE SHAFT KITS:

\*(kits also available with twin shaft configuration)



### SECTIONAL DETAILS



### FLEXIBLE SHAFT KITS

These fully flashed skylight kits provide everything you need to bring natural light into your living environment and are ideal for the handyman and tradesman alike. Kits are complete with an acrylic dome fixed to a fully flashed metal base, highly reflective uv resistant reinforced flexilight shaft, a white ceiling trim and a diffuser (eggcrate for vented and prismatic for non-vented).

### OPTIONAL ACCESSORIES

Regent Skylight Systems offer a large range of accessories and spare parts to compliment your natural lighting needs. For advice on selection, refer to the accessories information sheets or consult your local distributor.

### SELECTION CHART

SIZE	VENTED MODEL	NON-VENTED MODEL	BCA MODEL	LIGHT AREA (m <sup>2</sup> )	STANDARD VENT AREA (m <sup>2</sup> )	BCA VENT AREA (m <sup>2</sup> )
500 x 500	UMD500VHIO	UMD500NVHIO	UMD500BCAHIO	0.25	0.08	0.20
500 x 800	UMD5/8VHIO	UMD5/8NVHIO	UMD5/8BCAHIO	0.40	0.11	0.24
500 x 1200	UMD5/12VHIO	UMD5/12NVHIO	UMD5/12BCAHIO	0.60	0.14	0.31
600 x 600	UMD600VHIO	UMD600NVHIO	UMD600BCAHIO	0.36	0.10	0.27
600 x 800	N/A	N/A	N/A	N/A	N/A	N/A
600 x 1200	UMD6/12VHIO	UMD6/12NVHIO	UMD6/12BCAHIO	0.72	0.15	0.32
800 x 800	UMD800VHIO	UMD800NVHIO	UMD800BCAHIO	0.64	0.13	0.29
800 x 1200	N/A	N/A	N/A	N/A	N/A	N/A

The product described herein is protected by one or more of the following: Australian Patent Nos 688444, 686419 and 712432; Australian Registered Design Nos 127024, 118780 and 107995. ©The skylight system illustrations contained in this brochure are the sole property of Regent Skylight Systems Pty. Ltd and are reserved under copyright law. It is the responsibility of the user to ensure that the selected skylight system complies with the relevant building codes and authorities requirements. Regent Skylight Systems Pty. Ltd. reserves the right to improve or modify the skylight systems at any time.

Zinalume and Colorbond are registered trademarks of BlueScope Steel Limited. Corrolux is a registered trademark of Thomas Deutsch (Regent Sheet Metal Pty Ltd)

# REGENT SKYLIGHT SYSTEMS

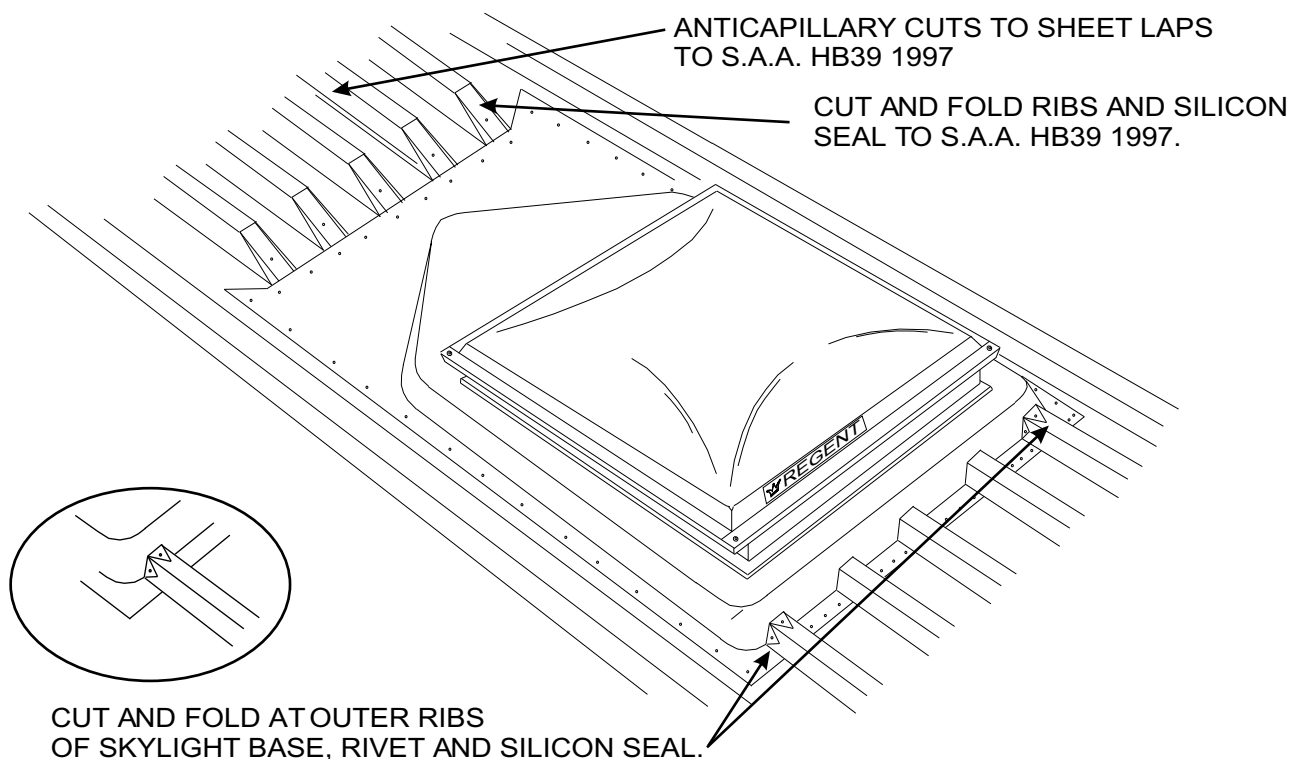
PTY. LTD.

" The Ultimate in Skylights and Ventilation Products! "

[www.regentskylights.com.au](http://www.regentskylights.com.au)

MARCH 2016

1. CUT. FOLD SILICON AND POP RIVET RIBS ON HIGH SIDE. DO NOT USE FOAM SEALING STRIP.
2. CUT OUT FOR RIBS ON FRONT OF SKYLIGHT, LEAVING PORTION ON AND FOLD OUT ONTO THE OUTSIDE AND TOP OF OUTER RIB. SILICON AND POP RIVET FOLDED OUT SECTIONS TO OUTSIDE AND TOP OF OUTER RIB.
3. TURN UP PANS ON LOW SIDE OF CUT OUT.
4. ENSURE THAT THERE IS A CONTINUOUS SILICON SEAL ON TOP OF SKYLIGHT AT HIGH SIDE, UNDER 2 SIDES AND IN WAY OF POP RIVETS IN PANS ON FRONT.
5. POP RIVET AT CLOSE CENTRES (50MM CENTRES) ON TOP AND 2 SIDES AND 2 TO 3 RIVETS IN PANS ON FRONT.
6. SEAL AROUND OUTER RIB OF CUTOUT ON FRONT OF SKYLIGHT TO ENSURE WATER CANNOT BACK UP ALONG OUTER RIB UP TO SOAKER.
7. LEAVE INTERMEDIATE RIBS UNSEALED AT FRONT, AS TURNED UP PANS PROVIDE ADEQUATE SEAL.
8. PROVIDE ANTI-CAPILLARY CUTS WHERE SHEET LAPS OCCUR ABOVE FOLDED RIBS.



The product described herein is protected by one or more of the following: Australian Patent Nos 688444, 686419 and 712432; Australian Registered Design Nos 127024, 118780 and 107995. The skylight system illustrations contained in this brochure are the sole property of Regent Skylight Systems Pty. Ltd. and are reserved under copyright law. It is the responsibility of the user to ensure that the selected skylight system complies with the relevant building codes and authorities requirements. Regent Skylight Systems Pty. Ltd. reserves the right to improve or modify the skylight systems at any time. Zinalume® and Colorbond® are registered trademarks of BlueScope Steel Limited. Corrolux® is a registered trademark of Thomas Deutsch (Regent Sheet Metal Pty Ltd)

# REGENT SKYLIGHT SYSTEMS

PTY. LTD.

" The Ultimate in Skylights and Ventilation Products! "

[www.regentskylights.com.au](http://www.regentskylights.com.au) Technical Sheet INST/LP/01032016/001.6