

**FOR 1 HOUR FIRE RATED CEILING**

\*Copies of SA Certificates may be supplied on request.

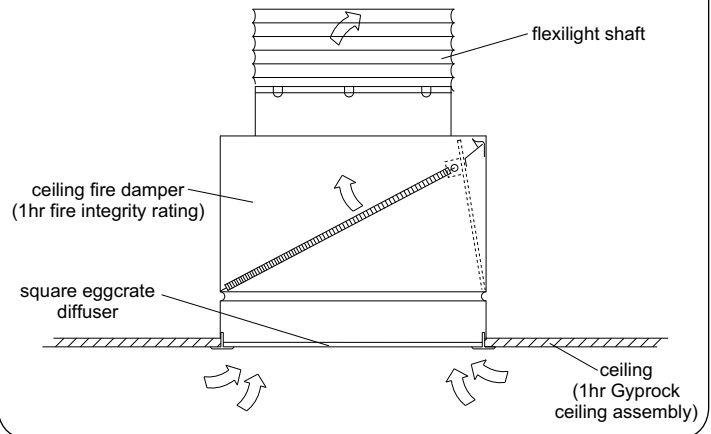
**FEATURES**

- ▶ simplicity in design
- ▶ tight manufacturing tolerances
- ▶ sturdy press-formed and fully welded frame construction
- ▶ light weight damper easy to install
- ▶ suitable for lightweight ceiling constructions
- ▶ adjustable mounting angles
- ▶ heat protective shielding on blade
- ▶ spring assisted closure

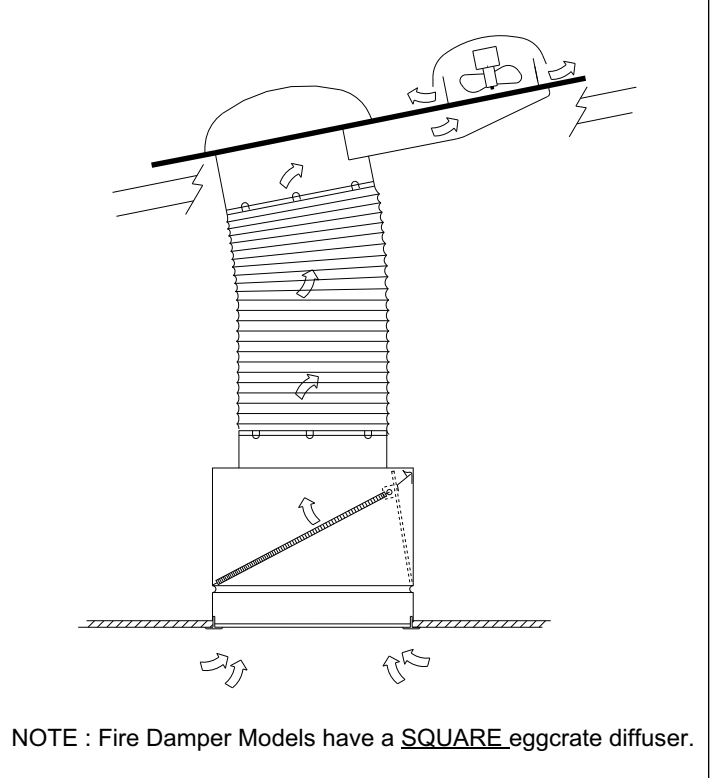
**AVAILABLE FOR THE FOLLOWING REV MODELS**

- |                               |                               |                              |
|-------------------------------|-------------------------------|------------------------------|
| <input type="checkbox"/> 100  | <input type="checkbox"/> 103B | <input type="checkbox"/> 304 |
| <input type="checkbox"/> 100B | <input type="checkbox"/> 103C | <input type="checkbox"/> 307 |
| <input type="checkbox"/> 101  | <input type="checkbox"/> 104  |                              |
| <input type="checkbox"/> 101B | <input type="checkbox"/> 104B |                              |
| <input type="checkbox"/> 103  | <input type="checkbox"/> 303  |                              |

*Ceiling Fire Dampers:*



*Installation Example (Rev100):*



The skylight system illustrations contained in this brochure are the sole property of Regent Skylight Systems Pty. Ltd and are reserved under copyright law. It is the responsibility of the user to ensure that the selected skylight system complies with the relevant building codes and authorities requirements. Regent Skylight Systems Pty. Ltd. reserves the right to improve or modify the skylight systems at any time.